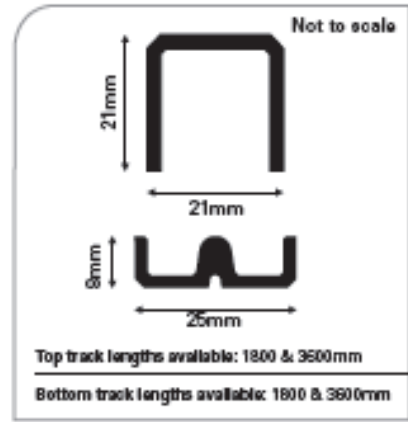


# System F 44

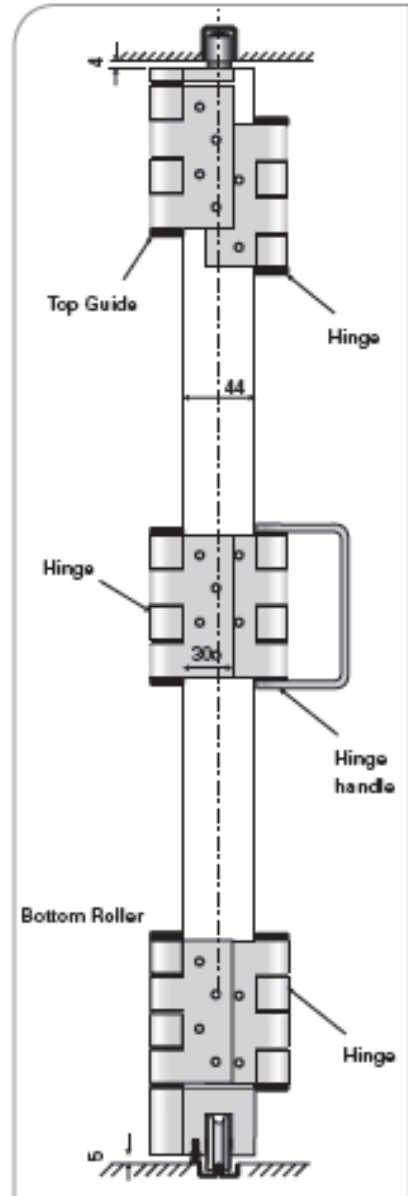
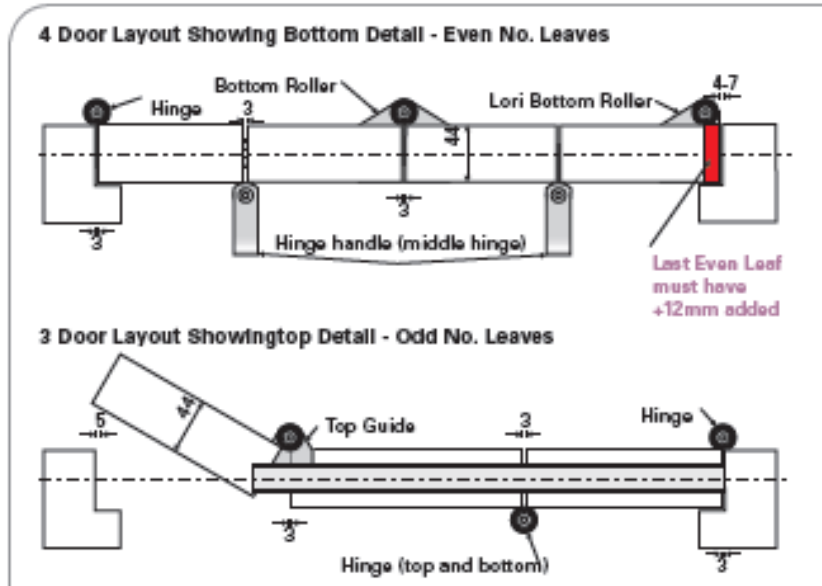


Maximum number of doors	7 each side
Maximum door weight	70 kg
Maximum door width	900 mm
Maximum opening width	12600 mm
Maximum door height	3000 mm
Door thickness	44 mm

Ideal for internal and external folding doors when a structure is not available to support doors from above. With minimal floor track and guide channel it can easily be installed into existing apertures with little disruption. The track can either be let into a frame or face fitted with a 8mm timber ramp either side. The hardware includes suited hinges, handles, running gear and the choice of all items including track in either a silver or gold 25 micron anodised finish.



**Ideal for:** Folding patio doors, garage doors and internal room dividers



These pictures give 3 examples of where System F 44 is ideal. Above left is a garage door using framed ledges and braced doors. Above is a seafront commercial property. Left shows a 6 leaf layout on Tite Barn.

# System F 56



Maximum number of doors	7 each side
Maximum door weight	70 kg
Maximum door width	900 mm
Maximum opening width	12600 mm
Maximum door height	3000 mm
Minimum door thickness	56 mm

Ideal for glazed folding sliding patio doors as it is designed to fit into a standard door frame. Being bottom rolling there is no need for additional structural support as all the weight is supported at the bottom similar to traditional sliding patio doors. Available in either silver or gold 25 micron anodised finishes.

