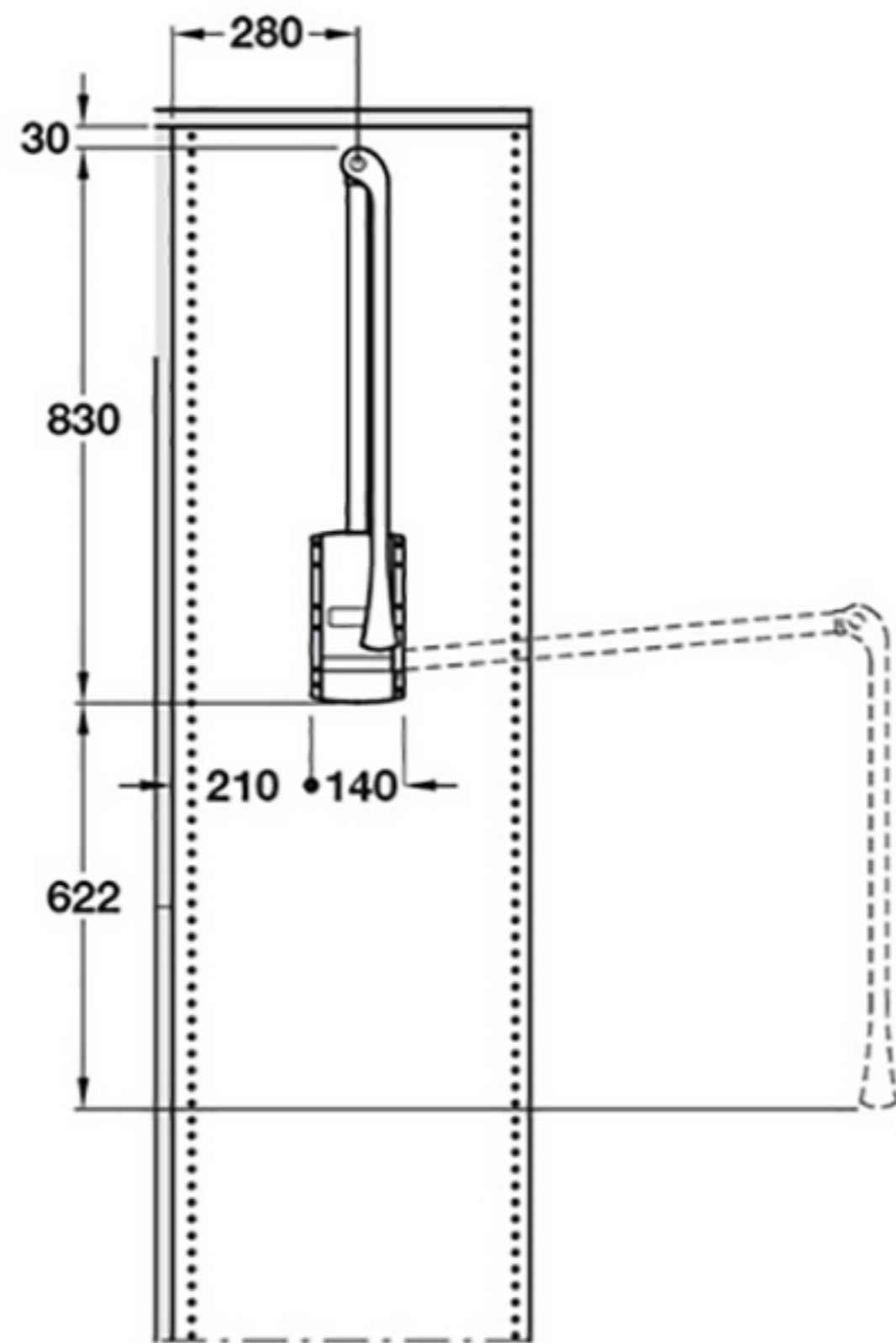


Installed at rear using series drilled holes



Installed in middle of cabinet side wall