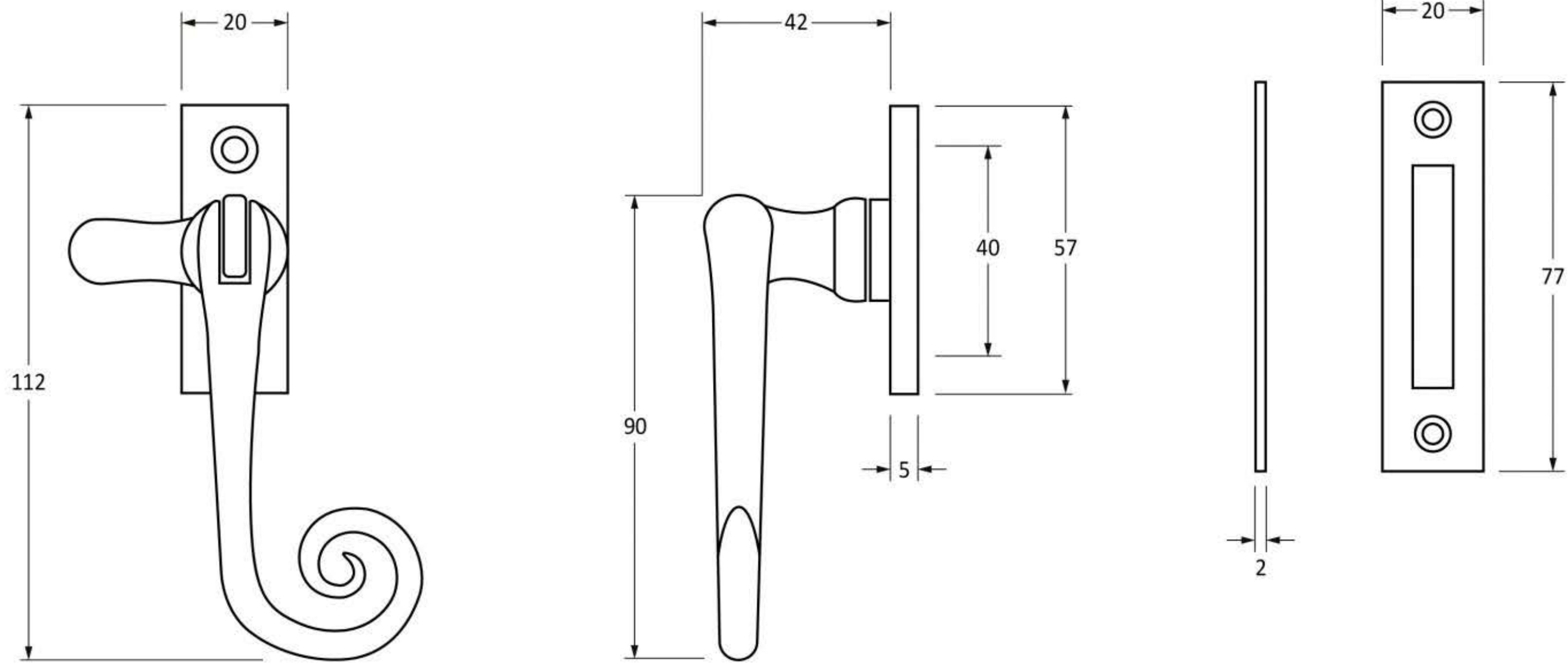


Product Code: 13475



Please Note, due to the hand crafted nature of our products all measurements are approximate and should be used as a guide only.

Product Information	Pack Contents	Fixing Screws
Product Code: 33280 Description: Monkeytail Fastener Finish: Black Base Material: Mild Steel	1 x Fastener 1 x Mortice Plate 4 x Fixing Screws	Size: 2 x Gauge 6 x 1/2" (3.5mm x 13mm) 2 x Gauge 8 x 3/4" (4mm x 19mm) Type: Countersunk Finish: Black Base Material: Stainless Steel