

TOLERANCES UNLESS STATED
 DIMENSIONS ARE IN MILLIMETRES
 SURFACE TEXTURE VALUES ARE IN MICROMETRES
 MACHINE WHERE MARKED ✓

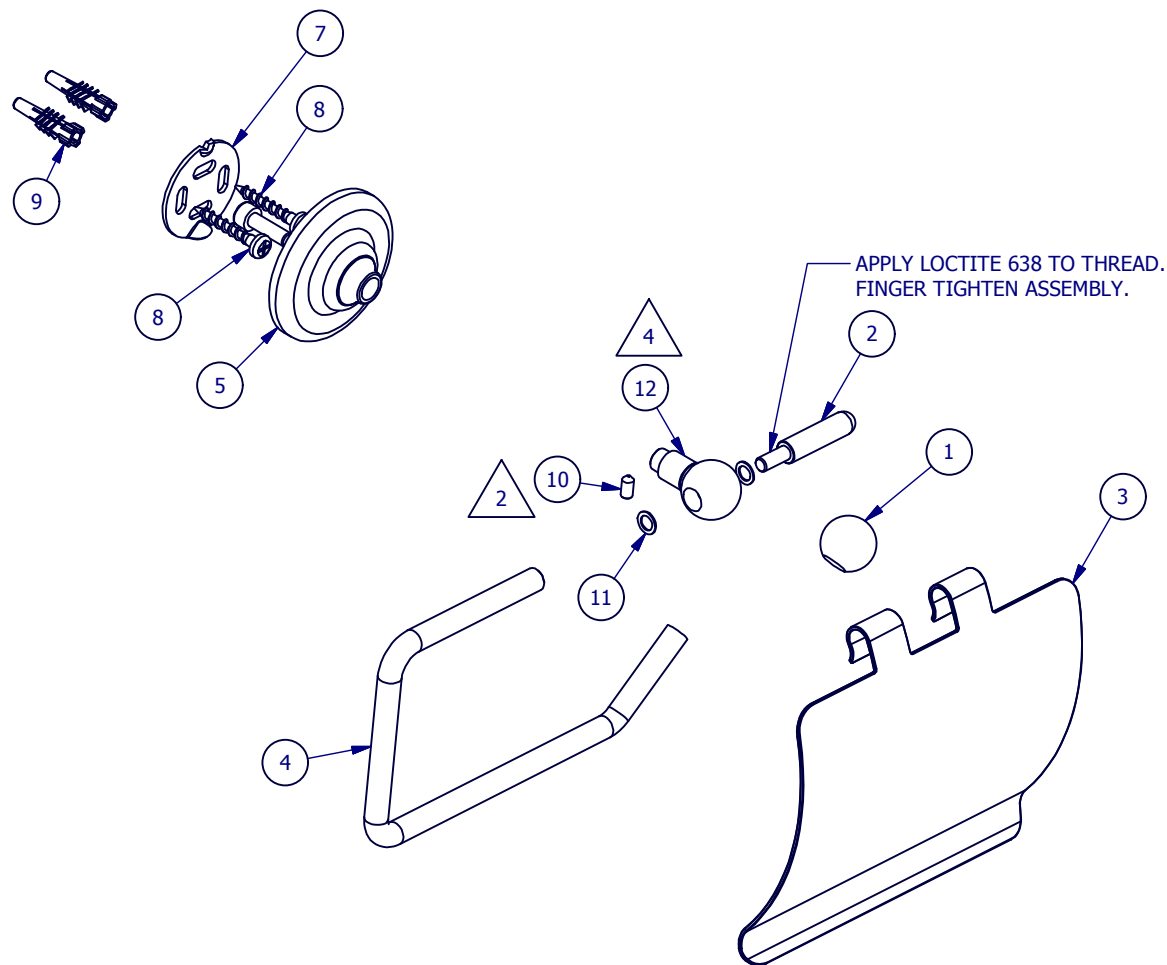
UP TO 6 ± 0.10
 OVER 6 UP TO 30 ± 0.20
 OVER 30 UP TO 120 ± 0.30
 OVER 120 UP TO 315 ± 0.50
 OVER 315 UP TO 1000 ± 0.50
 OVER 1000 UP TO 2000 ± 0.50

MATERIAL	VARIOUS	SCALE	NTS
BRASS MASS	N/A	DRAWN BY	A.PRICE
TREATMENT		DATE	14.04.14
FINISH	VARIOUS	CHECKED	AD

TITLE:	TISSUE HOLDER WITH FLAP
PROJECT:	956

SHS
 Samuel Heath & Sons PLC

A4	THIRD ANGLE PROJ
ISS DATE	07.07.14
ISS NO	4
SHEET	1
DRG No	N4337-C



Parts List			
ITEM	QTY	PART NUMBER	DESCRIPTION
1	1	1-1381-A	KNOB
2	1	1-2509	LOOP EXTENSION
3	1	1-2510	FLAP-RH
4	1	1-2508	LOOP
5	1	1-2501	BRACKET
6	1	9-3051	SOCKET CAP SCREW M5 X 16 S/S
7	1	1-2080	CHASSIS
8	2	9-2573	No.8 X 1.1/4" SCREW RND HD
9	2	9-2232	PLUG - ALL PURPOSE
10	1	9-2276	M4 x 8 - CONE POINT SOCKET SET SCREW S/S
11	2	9-2076	WASHER-NYLON 8.0 X 5.3 X 0.5
12	1	1-2548	BRACKET EXTENSION

REVISION HISTORY

ZONE	REV	DESCRIPTION	DATE	APPROVED
	2	WAS M5	12/06/2014	AP
	4	NYLON WASHERS ADDED	02.07.14	AP
	4	WAS 1-2502	07.07.14	AP

TOLERANCES UNLESS STATED
 DIMENSIONS ARE IN MILLIMETRES
 SURFACE TEXTURE VALUES ARE IN MICROMETRES
 MACHINE WHERE MARKED ✓

UP TO 6 ± 0.10
 OVER 6 UP TO 30 ± 0.20
 OVER 30 UP TO 120 ± 0.30
 OVER 120 UP TO 315 ± 0.50
 OVER 315 UP TO 1000 ± 0.50
 OVER 1000 UP TO 2000 ± 0.50

MATERIAL	VARIOUS	SCALE	3:5
BRASS MASS	N/A	DRAWN BY	A.PRICE
TREATMENT		DATE	14.04.14
FINISH	VARIOUS	CHECKED	AD

TITLE: TISSUE HOLDER WITH FLAP

PROJECT: 956

SHS

Samuel Heath & Sons PLC

A4	THIRD ANGLE PROJ
ISS DATE	07.07.14
ISS NO	4
SHEET	2
DRG No	N4337-C