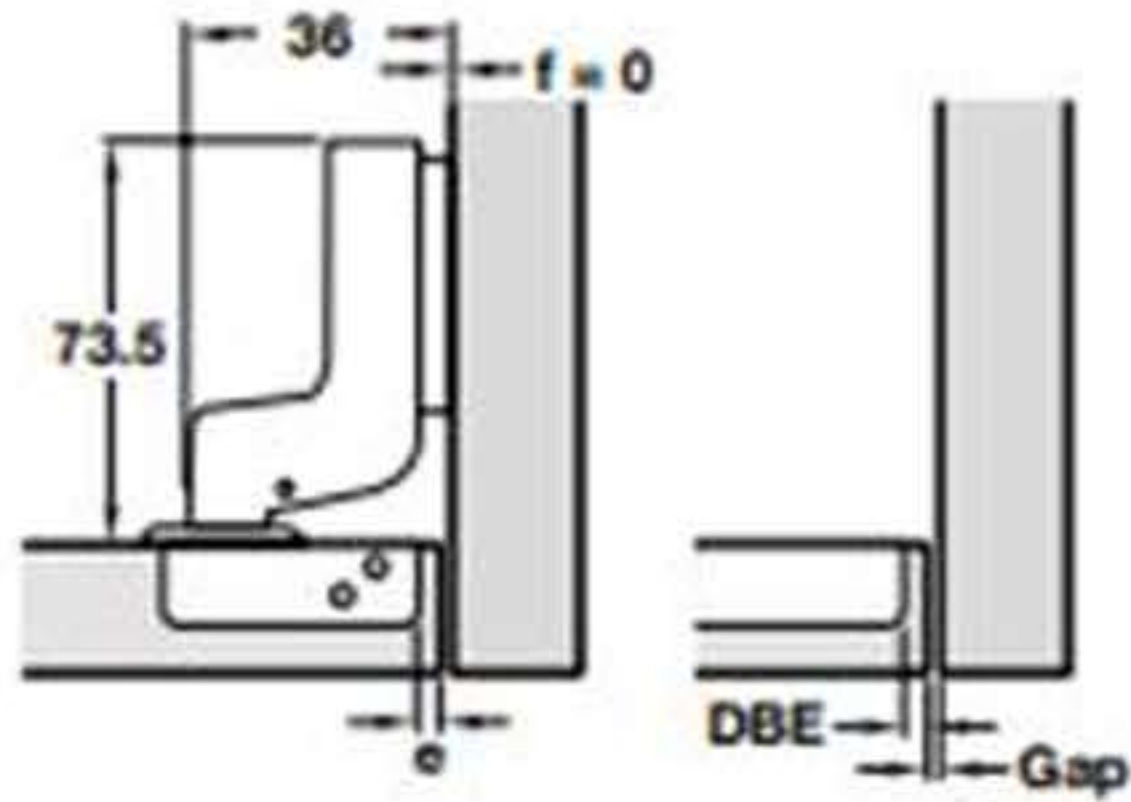




## Inset mounting



Overlay - coverage of the side end by door e mm

-8	-7	-6	-5	-4	-3	-2	-1	0		
				3	4	5	6	7	0	
		3	4	5	6	7			2	
3	4	5	6	7					4	
DBE distance to cup bore edge mm							Mounting plate height f mm			



**smuso**



Drilling pattern	45/9.5
Screw fixing	311.04.002