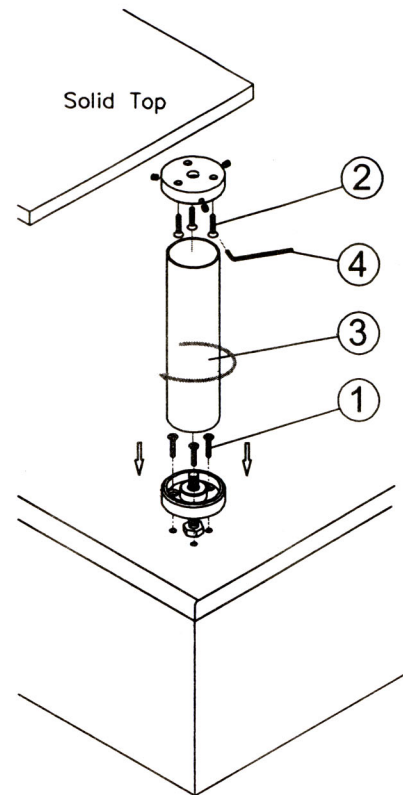
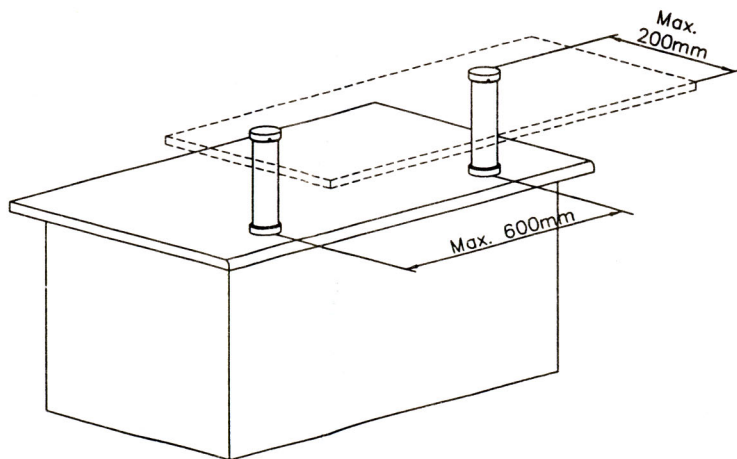
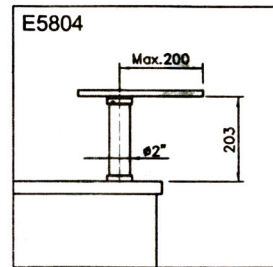
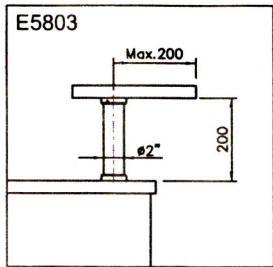
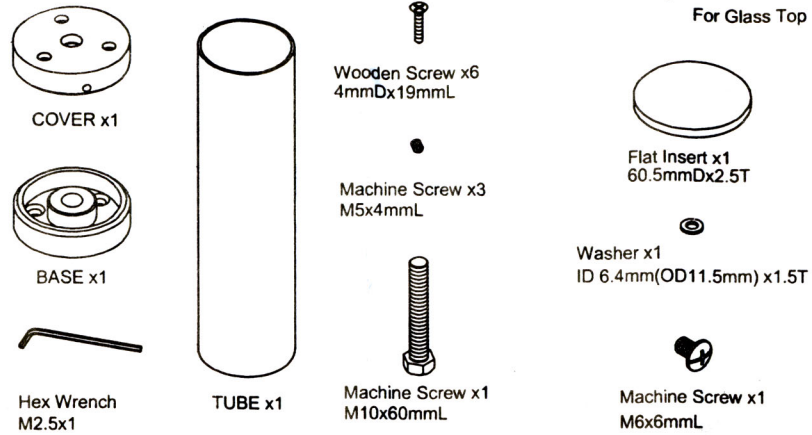


E5803 MOUNTING AND OPERATING INSTRUCTIONS



E5803 Installation Steps:

1. Use 4mmD x 19mmL Wooden Screw to Fix Base With Wooden Desk.
2. Use 4mmD x 19mmL Wooden Screw to Fix Cover With Solid Top.
3. Turn and Link to Tube and Base.
4. Use the Hex Wrench key to fix Machine Screw M5x4mmL and Cover.

FITT-10172
Issue 1

E5804 Installation Steps:

1. Use 4mmD x 19mmL Wooden Screw to Fix Base With Wooden Desk.
2. Use UV Glue Sticks to Match the Glass Top and Flat Insert.
3. Use the Machine Screw M6x6mmL to Fix Cover With Flat Inster.
4. Turn and Link to Tube and Base.
5. Use the Hex Wrench key to fix Machine Screw M5x4mmL and Cover.

