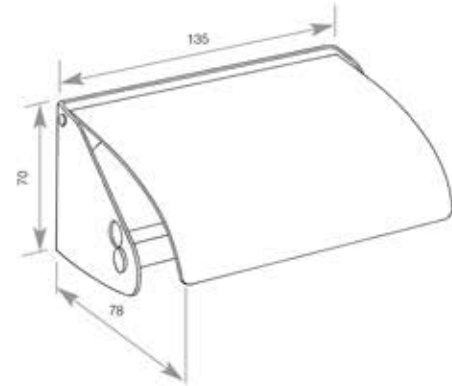




**SDS LONDON**  
ARCHITECTURAL IRONMONGERY



## STAINLESS STEEL TOILET ROLL HOLDER

- › Quality stainless steel construction
- › Non lockable stainless steel spindle
- › Weighted flap to reduce paper wastage
- › Capacity one standard toilet roll

HEIGHT	70 MM
WIDTH	135 MM
PROJECTION	98 MM