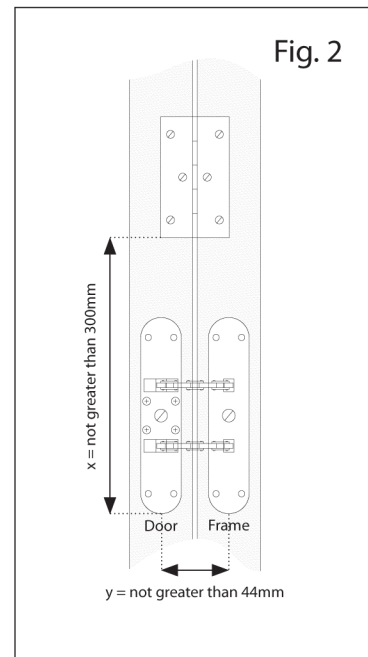
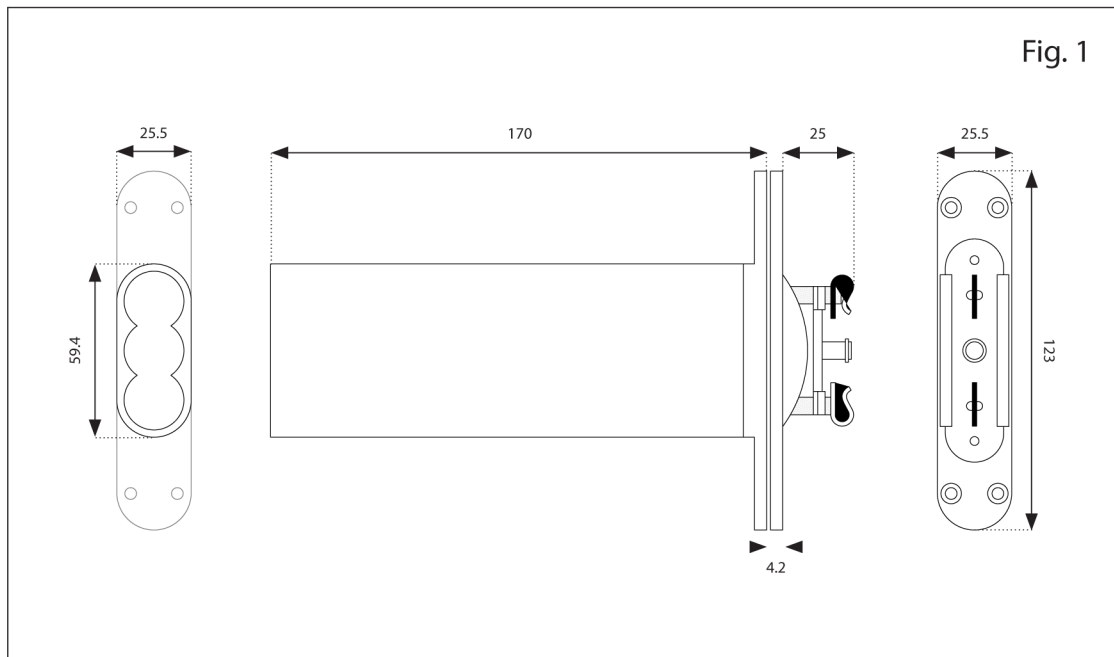


MODEL CDC85SC/R INSTALLATION INSTRUCTIONS

Jamb Mounted Double Chain Closer

ENDURO



PREPARATION

Ensure door and frame are in good condition and alignment is plumb.

INSTALLATION INSTRUCTIONS

Create opening in door and frame using dimensions above (Fig. 1) and noting measurements shown in (Fig. 2).

Twist frame fixing plate to reveal holes in door fixing plate (Fig. 3) and insert 2 screws. Twist in opposite direction and insert remaining 2 screws.

Prise open frame fixing plate and hold open with chain locks (Fig 4).

Secure frame fixing plate with 4 screws and remove chain locks (Fig. 5).

ADJUSTMENT

To Pull Door To Frame

Use adjusting screw on frame fixing plate (Fig. 6).

NOTE - adjustment is extremely sensitive - use very small turns only.

To Vary Closing Speed

Use adjusting screw on door fixing plate (Fig. 7).

NOTE - adjustment is extremely sensitive - use very small turns only.

MAINTENANCE

Check that the door closes correctly and adjust closer as necessary. Ensure fixing screws are tight.

NOTES

- Cyclic performance 500,000.
- Maximum angle of opening 110°
- Maximum door width 940mm.
- Do not use with rising , falling, projection or parliament hinges.
- Not suitable for external doors.
- Always fit a door stop.

