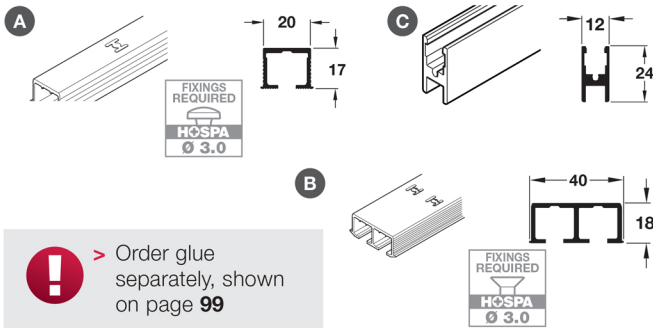


## EKU-CLIPO 36GPK and 36GPPK tracks and profiles



> Order glue separately, shown on page 99

- > Tracks A and B for min. 30 mm thick upper carcass
- A Single top track, with screw holes for soffit fixing into a groove, bright aluminium
- B Double top track, with screw holes for soffit fixing into a groove, bright aluminium
- C Frame profile, glue to glass, silver anodised aluminium

Item	2.5 m	3.5 m
A Single top track		
B Double top track		
C Frame profile		

## EKU-CLIPO 36GPK and 36GPPK end piece

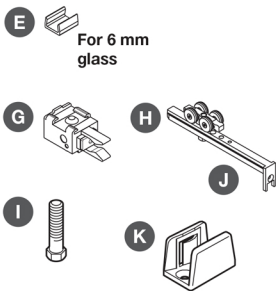


- > 2x End pieces, for single top track, cap to support ends of track
- > Grey plastic
- > Order qty: 1 pc (4 pcs required per 2 or 3 door application)

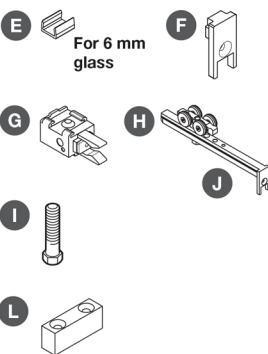
Additional items
D 2x end pieces

## EKU-CLIPO 36GPK and 36GPPK fitting sets

### EKU Clipo 36GPK



### EKU Clipo 36GPPK

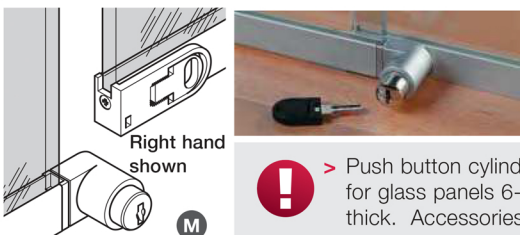


- > Fitting set consists of:
- E Spacer, for use with 6 mm glass in profile E, grey plastic
- F Profile cover cap, GPPK, screw fixing to bottom profile E, zinc alloy
- G Stopper, for top track, with retaining spring, grey plastic
- H Running gear,  $\pm 2$  mm vertical adjustment, bright zinc alloy
- I Mounting screw, M5 x 20, for fixing running gear to suspension block, galvanized steel
- J Suspension block, for insertion and screw fixing in profile E, bright zinc alloy
- K Bottom guide, GPK, for glass thickness 6-8 mm, screw fixing to base, matt chrome-plated aluminium
- L Bottom guide, GPPK, rattle-proof, screw fixing to base for use with profile E, grey plastic

	36GPK	36GPPK
For 1 door		
E Spacer	2 pcs	4 pcs
F Profile cover cap, GPPK	-	2 pcs
G Stopper	2 pcs	2 pcs
H Running gear	2 pcs	2 pcs
I Mounting screw	2 pcs	2 pcs
J Suspension block	2 pcs	2 pcs
K Bottom guide, GPK	1 pc	-
L Bottom guide, GPPK	-	1 pc

Additional items	Order qty
F Profile cover cap, GPPK	1 pc
K Bottom guide, GPK	1 pc

## EKU-CLIPO 36GPK and 36GPPK push button



> Push button cylinder locks for glass panels 6-8 mm thick. Accessories: 2 keys

- M Push button cylinder lock, left or right hand, for installation in the end of profile E, matt chrome-plated zinc alloy
- > Order qty: 1 pc (order 1 pc per pair of doors)

Additional items
M Push button, left hand
M Push button, right hand