

FITTING INSTRUCTIONS - NOTICE DE POSE - MONTAGE HANDLEIDING - MONTAGEANLEITUNG INSTRUZIONI DI MONTAGGIO - INSTUCCIONES DE MONTAJE

Maximum leaf size	Weight	Kit No.
2700 x 800 x 50mm	100kg	H100/15A
2700 x 950 x 50mm	100kg	H100/18A
2700 x 1050 x 50mm	100kg	H100/20A
2700 x 1250 x 50mm	100kg	H100/24A

B = 20-50mm **P** = $\frac{B}{2}$ - 14

Alternative guide arrangements (Not supplied in kit)

* Measurements based on 3mm metal framing.
(All dimensions in mm)

1 ASSEMBLY OF RETAINING STOP, HANGER & TRACK STOP

2

3 ALTERNATIVE GUIDE

4 FIT HANGER APRON TO DOOR PANEL

5 INSERT HANGERS AND RETAINING STOP

6 SECURE TRACK

7 FACE & SOFFIT FIX OPTIONS

8 BRACKET AND CLIPSTOP LOCATIONS

9 FIT HANGER APRON TO DOOR PANEL AND ADJUST HEIGHT

10 FIT DOOR GUIDE

11 POSITION AND SECURE RETAINING STOP

FITTING INSTRUCTIONS - NOTICE DE POSE - MONTAGE HANDLEIDING - MONTAGEANLEITUNG INSTRUZIONI DI MONTAGGIO - INSTUCCIONES DE MONTAJE

B = 20-50mm **P** = $\frac{B}{2} - 14$

Maximum leaf size	Weight	Kit No.
2700 x 800 x 50mm	100kg	H100/15
2700 x 950 x 50mm	100kg	H100/18
2700 x 1050 x 50mm	100kg	H100/20
2700 x 1250 x 50mm	100kg	H100/24

Alternative guide arrangement (Not supplied in kit)

* Measurements based on 3mm metal framing.
(All dimensions in mm)

1 ASSEMBLY OF RETAINING STOP, HANGER & TRACK STOP

2

3 ALTERNATIVE GUIDE

4 FIT HANGER APRON TO DOOR PANEL

5 INSERT HANGERS AND RETAINING STOP

6 SECURE TRACK

7 FACE & SOFFIT FIX OPTIONS

8 BRACKET AND CLIPSTOP LOCATIONS

9 FIT HANGER APRON TO DOOR PANEL AND ADJUST HEIGHT

10 FIT DOOR GUIDE

11 POSITION AND SECURE RETAINING STOP

HUSKY 100

MAXIMUM DOOR WEIGHT 100kg

APPLICATIONS

- ▶ Ideally suited for room dividers and wardrobe doors.
- ▶ Designed with galvanised steel and aluminium track, with nylon rollers to ensure a smooth, quiet operation.
- ▶ Reliable and highly versatile sliding door hardware, using precision made components for a trouble free operation.
- ▶ Suitable for both timber and metal framed doors.
- ▶ The opening can be covered by one or a number of doors sliding to either side. Where the door travels more than its own width, a continuous bottom guide channel must be used with two guides per door.
- ▶ Flexible fixing options. The track may be fixed direct to the underside of the lintel (single or multiple runs) or face fixed with brackets.

DOOR SPECIFICATION

Max leaf weight	100Kg
Door thickness	20 - 50mm
Door material	Suitable for use with timber framed doors of flush, panelled or glazed construction. Metal doors should be lightly constructed of channel or angle framing, clad with sheeting as required.

GEAR SPECIFICATION

Kits Husky 100 kits contain:
Track- Steel (280) or mill finish aluminium (280A)
Face fixing brackets - Steel (281) or mill finish aluminium (281A)
End and jointing bracket for aluminium kits - mill finish aluminium (281AX)
2 nylon bodied, needle roller bearings 4-wheel hangers (284)
Nylon guide (102N)
Clip stop (601H)
Track stop (287)
Fitting instructions

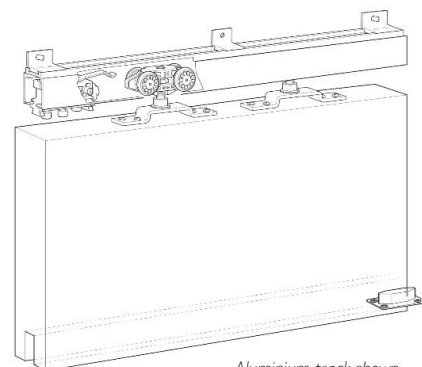
Maximum leaf size	Weight	Kit number	
		Steel track	Aluminium track
2700 x 800 x 50mm	100kg	H100/15	H100/15A
2700 x 950 x 50mm	100kg	H100/18	H100/18A
2700 x 1050 x 50mm	100kg	H100/20	H100/20A
2700 x 1250 x 50mm	100kg	H100/24	H100/24A

Refer to price list for part numbers

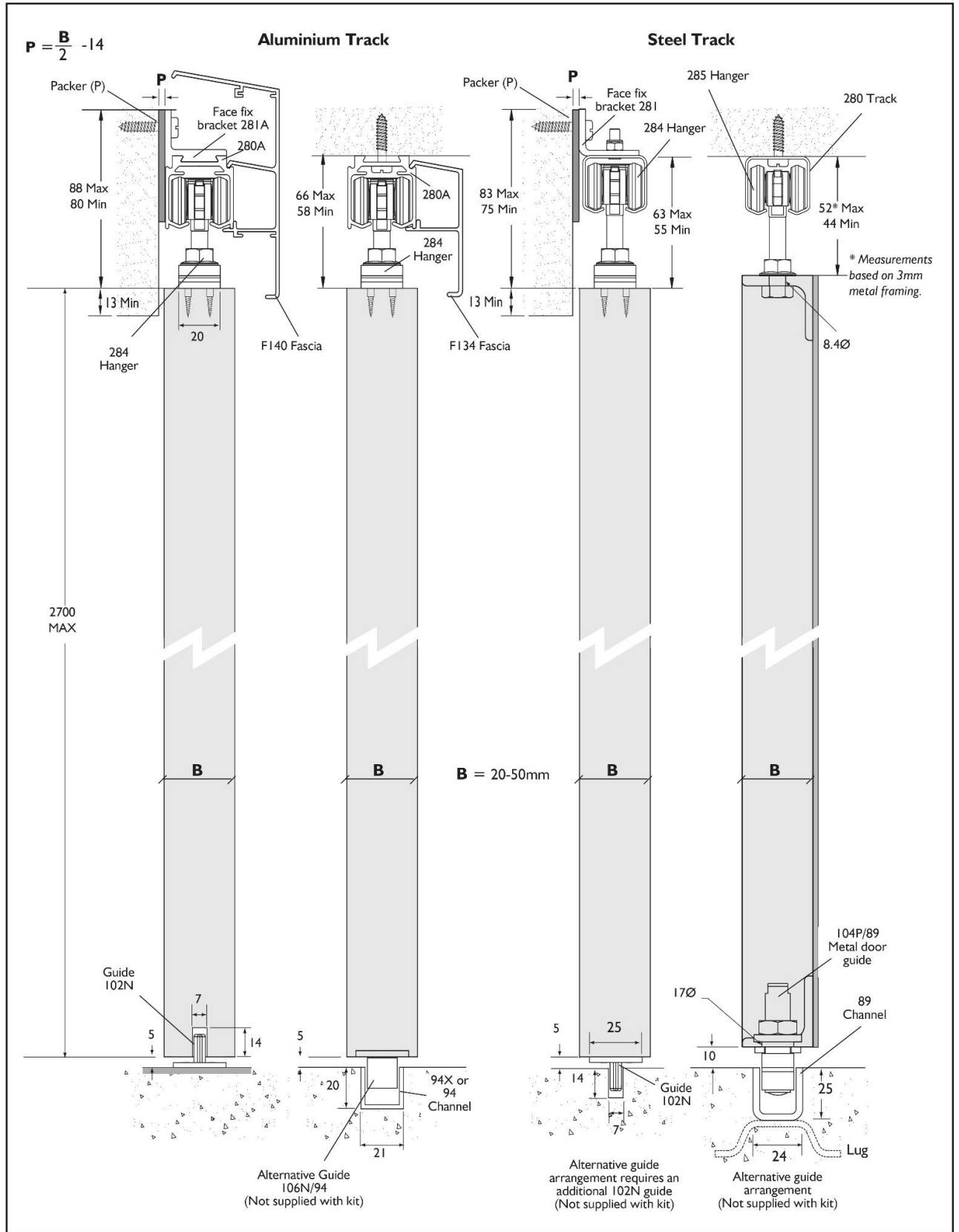
Optional Extras	
Anodised aluminium track	280AN - Standard lengths
Aluminium face fix bracket packs	2815A (5 brackets)
	2818A (8 brackets)
Steel bracket packs	2815 (5 brackets)
	2818 (8 brackets)
Hanger for metal doors	285
Roller guide	106N/94
Aluminium floor channel	94X
Satin anodised SA flush pull 100x48mm	400SS
Stainless steel SS flush pull 100x48mm	400PSS
Polished stainless steel flush pull 100x48mm	333
Satin anodised flush pull	395
Mortice sliding door lock	395
Fascia for aluminium track for doors up to 50mm	F134 (soffit fix)
	F140 (face fix)
Fascia for aluminium track for doors up to 25mm	F138 (soffit fix)
Simultaneous Action Kit*	SIM100

*To be used in conjunction with two kits

FOR SLIDING TIMBER & METAL DOORS



HUSKY 100



(All dimensions in mm)

HENDERSON